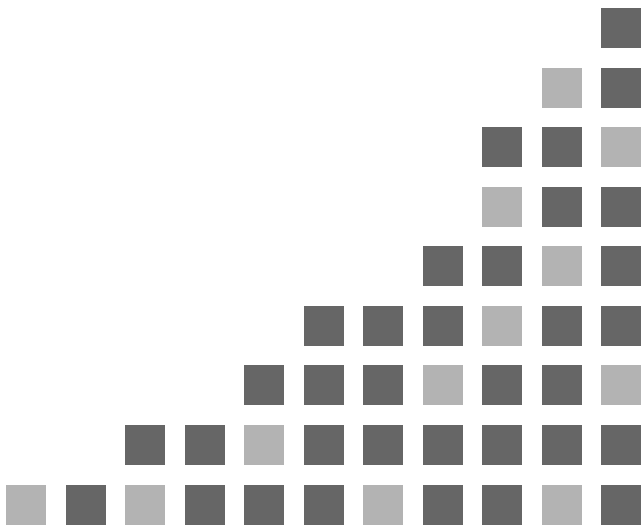


# Panasonic

## Video Input Recording Board

AJ-YA610P

## Operating Instructions



## **CAUTION:**

These servicing instructions are for use by qualified service personnel only. To reduce the risk of fire or electric shock do not perform any servicing other than that contained in the operating instructions unless you are qualified to do so.

 indicates safety information.

### ***Precautions***

- Do not touch the product with wet hands.
- Do not drop the product or expose it to bumps or shocks.
- Do not attempt to modify the product.

Doing so could cause it to malfunction.

### ***Package Contents***

- VIDEO I/F board
- ROM IC
- Warranty card
- List of Service Centers

### ***Compatible Camera-recorder***

- AJ-D610WAP

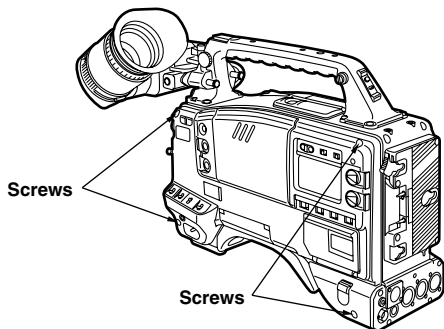
- For information on installing this product, contact your dealer or a Panasonic Service Center.
- Do not touch the connector terminals directly with your hands.
- If the board will not go in easily, it may be oriented backwards. Do not try to force it. Instead, check to make sure the board's orientation is correct.

## ***Installation in the Camera-recorder***

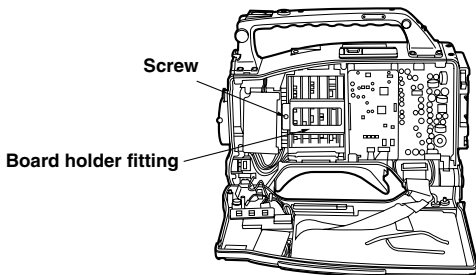
In order to record video input signals, the VIDEO I/F board and ROM IC (on the VTR SYSCON board) must first be replaced. To accomplish this, follow the procedure below.

- **Make sure the camera-recorder power is off before beginning the installation procedure.**

**1** Loosen the four screws indicated and remove the side panel containing the camera-recorder's display window.

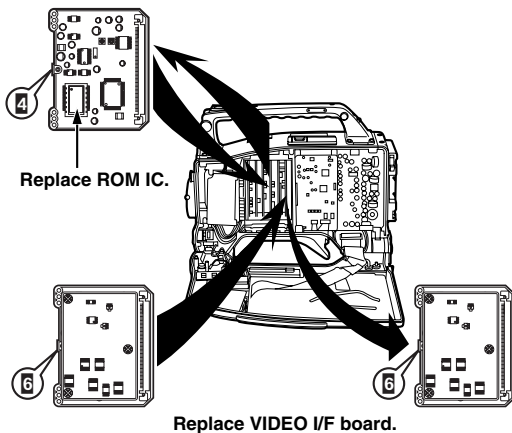


**2** Loosen the single screw indicated and then remove the board holder fitting.



- 3 Remove the VIDEO I/F board **6** installed in the camera-recorder and replace it with the VIDEO I/F board **6** supplied as part of this product.
- 4 Remove the VTR SYSCON board **4** and replace the ROM IC (IC6) mounted on it with the ROM IC supplied as part of this product.
- 5 After replacing the ROM IC, reinstall the VTR SYSCON board **4** in the camera-recorder.
- 6 Engage the board holder fitting and replace the side panel. (Secure both in place using the screws.)

VTR SYSCON board



- The camera-recorder will require adjustment after the product is installed. For details on the necessary adjustments, contact your dealer or a Panasonic Service Center.

By installing this product in the AJ-D610WAP camera recorder the REC SIGNAL item will appear on the REC (ASPECT)/RET screen menu.

## MAIN Menu Screen 3 of 4 (SUB menus)

### REC (ASPECT)/RET screen

```

→< REC(ASPECT) /RET >

REC SIGNAL      :CAM
REC MODE        :4*3/25M
RET SW          :REC CHECK
  
```

Item	Variable range	VF display	Remarks
REC SIGNAL	<u>CAM</u> VIDEO	USER ENG	<p>This selects the video input signals.</p> <p><b>CAM:</b> Signals input from the camera.</p> <p><b>VIDEO:</b> Signals input from the GENLOCK IN connector.</p> <p><b>&lt;Note&gt;</b> Even when VIDEO has been selected as the REC SIGNAL item setting, the setting will revert to CAM when the power is turned off and then turned back on.</p>

# Panasonic

**PANASONIC BROADCAST & TELEVISION SYSTEMS COMPANY**  
DIVISION OF MATSUSHITA ELECTRIC CORPORATION OF AMERICA

**Executive Office:**

3330 Cahuenga Blvd W., Los Angeles, CA 90068 (323) 436-3500

**EASTERN ZONE:**

One Panasonic Way 4E-7, Secaucus, NJ 07094 (201) 348-7621

**Southeast Region:**

1225 Northbrook Parkway, Ste 1-160, Suwanee, GA 30024 (770) 338-6835

**Central Region:**

1707 N Randall Road E1-C-1, Elgin, IL 60123 (847) 468-5200

**WESTERN ZONE:**

3330 Cahuenga Blvd W., Los Angeles, CA 90068 (323) 436-3500

**Government Marketing Department:**

52 West Gude Drive, Rockville, MD 20850 (301) 738-3840

**Broadcast PARTS INFORMATION & ORDERING:**

9:00 a.m. – 5:00 p.m. (EST) (800) 334-4881/24 Hr. Fax (800) 334-4880  
Emergency after hour parts orders (800) 334-4881

**TECHNICAL SUPPORT:**

Emergency 24 Hour Service (800) 222-0741

**Panasonic Canada Inc.**

5770 Ambler Drive, Mississauga, Ontario L4W 2T3 (905) 624-5010

**Panasonic de Mexico S.A. de C.V.**

Av angel Urraza Num. 1209 Col. de Valle 03100 Mexico, D.F. (52) 1 951 2127

**Panasonic Sales Company**

**Division of Matsushita Electric of Puerto Rico Inc.**

San Gabriel Industrial Park, 65th Infantry Ave., Km. 9.5, Carolina, Puerto Rico  
00630 (787) 750-4300